

CHICAGO
Electric[®]Power Tools

ORBITAL JIGSAW WITH LASER

Model 94560

ASSEMBLY AND OPERATING INSTRUCTIONS



Due to continuing improvements, actual product may differ slightly from the product described herein.



3491 Mission Oaks Blvd., Camarillo, CA 93011
Visit our Web site at: <http://www.harborfreight.com>

**TO PREVENT SERIOUS INJURY,
READ AND UNDERSTAND ALL WARNINGS
AND INSTRUCTIONS BEFORE USE.**

Copyright[®] 2006 by Harbor Freight Tools[®]. All rights reserved. No portion of this manual or any artwork contained herein may be reproduced in any shape or form without the express written consent of Harbor Freight Tools.

For technical questions, please call 1-800-444-3353.

PRODUCT SPECIFICATIONS

Electrical Requirements	120 VAC / 60 Hz
Speed	800 ~ 3,000 SPM (Strokes Per Minute)
Power Cord	10'-4" Long / 18 AWG x 2 C SJT
Power Plug	2-Pole / Polarized
Power Switch	125 VAC / 10 A / Single Pole
Speed Control	6 Position, Variable Speed (Rotary Wheel Style)
Cutting Mode Control	4 Position, Straight Cutting & Orbital (Lever Style)
Laser Light Control	2 Position (Push Button)
Maximum Cutting Capacities	3-11/32" Deep (Wood Stock) / 1/4" Deep (Ferrous Stock)
Blade Chuck Type	Spring Loaded, Quick Change T-Shank
Shoe Plate Angles	0° ~ 45° Left & Right Tilt (In 15° Increments)
Dust Chute Diameter	1-1/2" O.D.
Accessories	10 TPI Wood Cutting Blades (Qty. 2) 24 TPI Metal Cutting Blade Rip Guide
Overall Dimensions	3-1/8" W x 10-1/4" L x 8-3/4" H
Unit Weight	6.4 Pounds



SAVE THIS MANUAL

You will need this manual for the safety warnings and precautions, assembly, operating, inspection, maintenance and cleaning procedures, parts list and assembly diagram. Keep your invoice with this manual. Write the invoice number on the inside of the front cover. Keep this manual and invoice in a safe and dry place for future reference.

GENERAL SAFETY RULES

⚠ WARNING!
READ AND UNDERSTAND ALL INSTRUCTIONS
 Failure to follow all instructions listed below may result in electric shock, fire, and/or serious injury.
SAVE THESE INSTRUCTIONS

WORK AREA

1. **Keep your work area clean and well lit.** Cluttered benches and dark areas invite accidents.
2. **Do not operate power tools in explosive atmospheres, such as in the presence of flammable liquids, gases, or dust.** Power tools create sparks which may ignite the dust or fumes.
3. **Keep bystanders, children, and visitors away while operating a power tool.** Distractions can cause you to lose control. Protect others in the work area from debris such as chips and sparks. Provide barriers or shields as needed.

ELECTRICAL SAFETY

4. **Grounded tools must be plugged into an outlet properly installed and grounded in accordance with all codes and ordinances. Never remove the grounding prong or modify the plug in any way. Do not use any adapter plugs. Check with a qualified electrician if you are in doubt as to whether the outlet is properly grounded.** If the tools should electrically malfunction or break down, grounding provides a low resistance path to carry electricity away from the user.
5. **Double insulated tools are equipped with a polarized plug (one blade is wider than the other). This plug will fit in a polarized outlet only one way. If the plug does not fit fully in the outlet, reverse the plug. If it still does not fit, contact a qualified electrician to install a polarized outlet. Do not change the plug in any way.** Double insulation eliminates the need for the three wire grounded power cord and grounded power supply system.
6. **Avoid body contact with grounded surfaces such as pipes, radiators, ranges, and refrigerators.** There is an increased risk of electric shock if your body is grounded.
7. **Do not expose power tools to rain or wet conditions.** Water entering a power tool will increase the risk of electric shock.
8. **Do not abuse the Power Cord. Never use the Power Cord to carry the tools or pull the Plug from an outlet. Keep the Power Cord away from heat, oil, sharp edges, or moving parts. Replace damaged Power Cords immediately.** Damaged Power Cords increase the risk of electric shock.
9. **When operating a power tool outside, use an outdoor extension cord marked “W-A” or “W”.** These extension cords are rated for outdoor use, and reduce the risk of electric shock.

PERSONAL SAFETY

10. **Stay alert. Watch what you are doing, and use common sense when operating a power tool. Do not use a power tool while tired or under the influence of drugs, alcohol, or medication.** A moment of inattention while operating power tools may result in serious personal injury.
11. **Dress properly. Do not wear loose clothing or jewelry. Contain long hair. Keep your hair, clothing, and gloves away from moving parts.** Loose clothes, jewelry, or long hair can be caught in moving parts.

12. **Avoid accidental starting. Be sure the Power Switch is off before plugging in.** Carrying power tools with your finger on the Power Switch, or plugging in power tools with the Power Switch on, invites accidents.
13. **Remove adjusting keys or wrenches before turning the power tool on.** A wrench or a key that is left attached to a rotating part of the power tool may result in personal injury.
14. **Do not overreach. Keep proper footing and balance at all times.** Proper footing and balance enables better control of the power tool in unexpected situations.
15. **Use safety equipment. Always wear eye protection.** Dust mask, non-skid safety shoes, hard hat, or hearing protection must be used for appropriate conditions.

TOOL USE AND CARE

16. **Use clamps (not included) or other practical ways to secure and support the workpiece to a stable platform.** Holding the work by hand or against your body is unstable and may lead to loss of control.
17. **Do not force the tool. Use the correct tool for your application.** The correct tool will do the job better and safer at the rate for which it is designed.
18. **Do not use the power tool if the Power Switch does not turn it on or off.** Any tool that cannot be controlled with the Power Switch is dangerous and must be replaced.
19. **Disconnect the Power Cord Plug from the power source before making any adjustments, changing accessories, or storing the tool.** Such preventive safety measures reduce the risk of starting the tool accidentally.
20. **Store idle tools out of reach of children and other untrained persons.** Tools are dangerous in the hands of untrained users.
21. **Maintain tools with care. Keep cutting tools sharp and clean.** Properly maintained tools with a sharp cutting edge are less likely to bind and are easier to control. Do not use a damaged tool. Tag damaged tools “Do not use” until repaired.
22. **Check for misalignment or binding of moving parts, breakage of parts, and any other condition that may affect the tool’s operation. If damaged, have the tool serviced before using.** Many accidents are caused by poorly maintained tools.

23. **Use only accessories that are recommended by the manufacturer for your model.** Accessories that may be suitable for one tool may become hazardous when used on another tool.

SERVICE

24. **Tool service must be performed only by qualified repair personnel.** Service or maintenance performed by unqualified personnel could result in a risk of injury.
25. **When servicing a tool, use only identical replacement parts. Follow instructions in the “*Inspection, Maintenance, And Cleaning*” section of this manual.** Use of unauthorized parts or failure to follow maintenance instructions may create a risk of electric shock or injury.

SPECIFIC SAFETY RULES

1. **Hold the tool by insulated gripping surfaces when performing an operation where the cutting tool may contact hidden wiring or its own cord.** Contact with a “live” wire will make exposed metal parts of the tool “live” and shock the operator.
2. **Maintain labels and nameplates on the Jigsaw.** These carry important information. If unreadable or missing, contact Harbor Freight Tools for a replacement.
3. **Always wear safety impact eye goggles and heavy work gloves when using the Jigsaw.** Using personal safety devices reduce the risk for injury. Safety impact eye goggles and heavy work gloves are available from Harbor Freight Tools.
4. **Maintain a safe working environment.** Keep the work area well lit. Make sure there is adequate surrounding workspace. Always keep the work area free of obstructions, grease, oil, trash, and other debris. Do not use a power tool in areas near flammable chemicals, dusts, and vapors. Do not use this product in a damp or wet location.
5. **Avoid unintentional starting.** Make sure you are prepared to begin work before turning on the Jigsaw.
6. **Do not force the Jigsaw.** This tool will do the work better and safer at the speed and capacity for which it was designed. Do not force the Saw Blade into the workpiece being cut.
7. **WARNING!** Keep hands and fingers away from cutting area and Saw Blade.
8. **Never leave the Jigsaw unattended when it is plugged into an electrical outlet.** Turn off the tool, and unplug it from its electrical outlet before leaving.

9. **Before using the Jigsaw, check to make sure the Saw Blade is properly mounted on the Blade Chuck.** Make sure the Saw Blade is sharp, and is not cracked or bent.
10. **Industrial applications must follow OSHA guidelines.**
11. **When cutting a large workpiece, make sure its entire length is properly supported.** If necessary, use a roller stand (not included).
12. **When using the Jigsaw, always maintain a firm grip on the tool with both hands.**
13. **Do not use the Jigsaw if it has been dropped, damaged, left outdoors, or immersed in liquid.**
14. **To avoid electrical shock, do not handle the Jigsaw or its Power Cord Plug with wet hands.**
15. **To avoid injury, always wear heavy duty work gloves when changing Saw Blades.**
16. **Make sure the workpiece is free from nails and any other foreign objects which can damage the Saw Blade.**
17. **Always check to make sure there are no electrical wires or cables in the cutting path of the Jigsaw.**
18. **Allow the Saw Blade to run up to full speed before feeding it into a workpiece.** When turning off the Jigsaw, allow the Saw Blade to stop on its own. Do not press against the Saw Blade to stop it.
19. **Turn off the Jigsaw and allow the Saw Blade to completely stop if the Saw Blade is to be backed out of an uncompleted cut.**
20. **Never attempt to remove material stuck in the moving parts of the Jigsaw while it is plugged in and running.**
21. **Always ensure the Laser Beam is aimed at a sturdy workpiece without a reflective surface.** Bright, shiny, reflective workpieces are not suitable for Laser use as the surface could reflect the beam back at the operator.
22. **Always unplug the Jigsaw from its electrical outlet before performing any inspection, maintenance, or cleaning procedures.**

MISCELLANEOUS PRECAUTIONS

1. **⚠️ WARNING!** Some dust created by power sanding, sawing, grinding, drilling, and other construction activities, contain chemicals known (to the State of California) to cause cancer, birth defects or other reproductive harm. Some examples of these chemicals are: lead from lead-based paints, crystalline silica from bricks and cement or other masonry products, arsenic and chromium from chemically treated lumber. Your risk from these exposures varies, depending on how often you do this type of work. To reduce your exposure to these chemicals: work in a well ventilated area, and work with approved safety equipment, such as those dust masks that are specially designed to filter out microscopic particles. (California Health & Safety Code § 25249.5, *et seq.*)
2. **⚠️ WARNING!** People with pacemakers should consult their physician(s) before using this product. Operation of electrical equipment in close proximity to a heart pacemaker could cause interference or failure of the pacemaker.
3. **⚠️ WARNING!** The warnings and cautions discussed in this manual cannot cover all possible conditions and situations that may occur. It must be understood by the operator that common sense and caution are factors which cannot be built into this product, but must be supplied by the operator.

SAVE THESE INSTRUCTIONS

GROUNDING

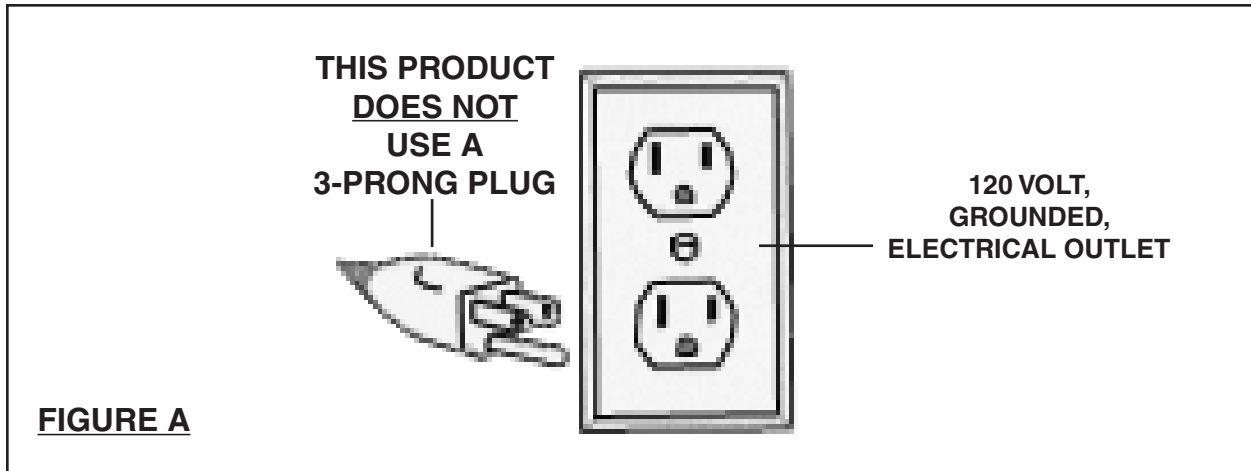
⚠️ WARNING!

Improperly connecting the grounding wire can result in the risk of electric shock. Check with a qualified electrician if you are in doubt as to whether the outlet is properly grounded. Do not modify the power cord plug provided with the tool. Never remove the grounding prong from the plug. Do not use the tool if the power cord or plug is damaged. If damaged, have it repaired by a service facility before use. If the plug will not fit the outlet, have a proper outlet installed by a qualified electrician.

GROUNDING TOOLS: TOOLS WITH THREE PRONG PLUGS

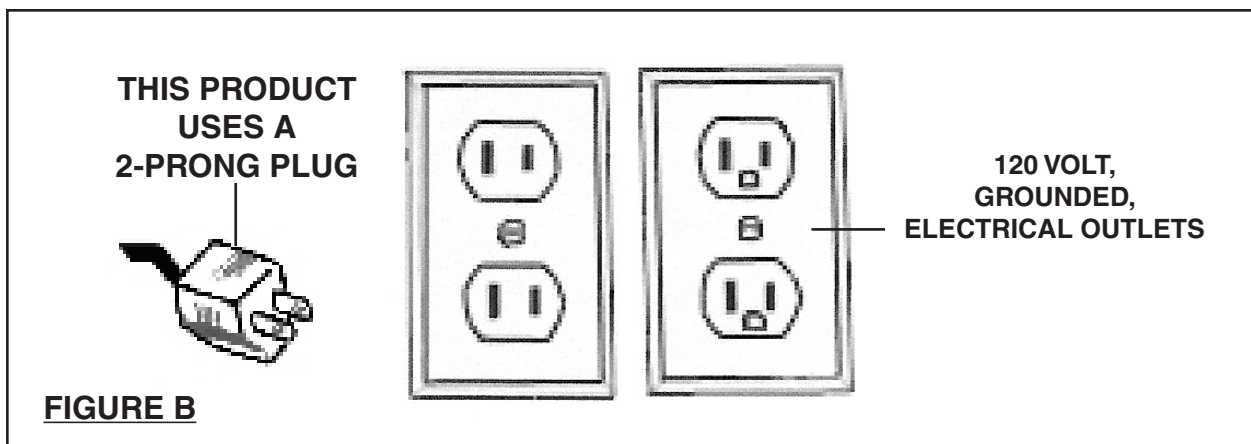
1. Tools marked with “Grounding Required” have a three wire cord and three prong grounding plug. The plug must be connected to a properly grounded outlet. If the tool should electrically malfunction or break down, grounding provides a low resistance path to carry electricity away from the user, reducing the risk of electric shock. **(See Figure A, next page.)**

- The grounding prong in the plug is connected through the green wire inside the cord to the grounding system in the tool. The green wire in the cord must be the only wire connected to the tool's grounding system and must never be attached to an electrically "live" terminal. **(See Figure A.)**
- Your tool must be plugged into an appropriate outlet, properly installed and grounded in accordance with all codes and ordinances. The plug and outlet should look like those in the following illustration. **(See Figure A.)**



DOUBLE INSULATED TOOLS: TOOLS WITH TWO PRONG PLUGS

- Tools marked "Double Insulated" do not require grounding. They have a special double insulation system which satisfies OSHA requirements and complies with the applicable standards of Underwriters Laboratories, Inc., the Canadian Standard Association, and the National Electrical Code. **(See Figure B.)**
- Double insulated tools may be used in either of the 120 volt outlets shown in the following illustration. **(See Figure B.)**



EXTENSION CORDS

1. **Grounded** tools require a three wire extension cord. **Double Insulated** tools can use either a two or three wire extension cord.
2. As the distance from the supply outlet increases, you must use a heavier gauge extension cord. Using extension cords with inadequately sized wire causes a serious drop in voltage, resulting in loss of power and possible tool damage. **(See Figure C.)**
3. The smaller the gauge number of the wire, the greater the capacity of the cord. For example, a 14 gauge cord can carry a higher current than a 16 gauge cord. **(See Figure C.)**
4. When using more than one extension cord to make up the total length, make sure each cord contains at least the minimum wire size required. **(See Figure C.)**
5. If you are using one extension cord for more than one tool, add the nameplate amperes and use the sum to determine the required minimum cord size. **(See Figure C.)**
6. If you are using an extension cord outdoors, make sure it is marked with the suffix "W-A" ("W" in Canada) to indicate it is acceptable for outdoor use.
7. Make sure your extension cord is properly wired and in good electrical condition. Always replace a damaged extension cord or have it repaired by a qualified electrician before using it.
8. Protect your extension cords from sharp objects, excessive heat, and damp or wet areas.

RECOMMENDED MINIMUM WIRE GAUGE FOR EXTENSION CORDS* (120 OR 240 VOLT)					
NAMEPLATE AMPERES (At Full Load)	EXTENSION CORD LENGTH				
	25 Feet	50 Feet	75 Feet	100 Feet	150 Feet
0 – 2.0	18	18	18	18	16
2.1 – 3.4	18	18	18	16	14
3.5 – 5.0	18	18	16	14	12
5.1 – 7.0	18	16	14	12	12
7.1 – 12.0	18	14	12	10	-
12.1 – 16.0	14	12	10	-	-
16.1 – 20.0	12	10	-	-	-

FIGURE C * Based on limiting the line voltage drop to five volts at 150% of the rated amperes.

SYMBOLOLOGY

FIGURE D

	Double Insulated
	Canadian Standards Association
	Underwriters Laboratories, Inc.
	Volts Alternating Current
	Amperes
	No Load Revolutions per Minute (RPM)

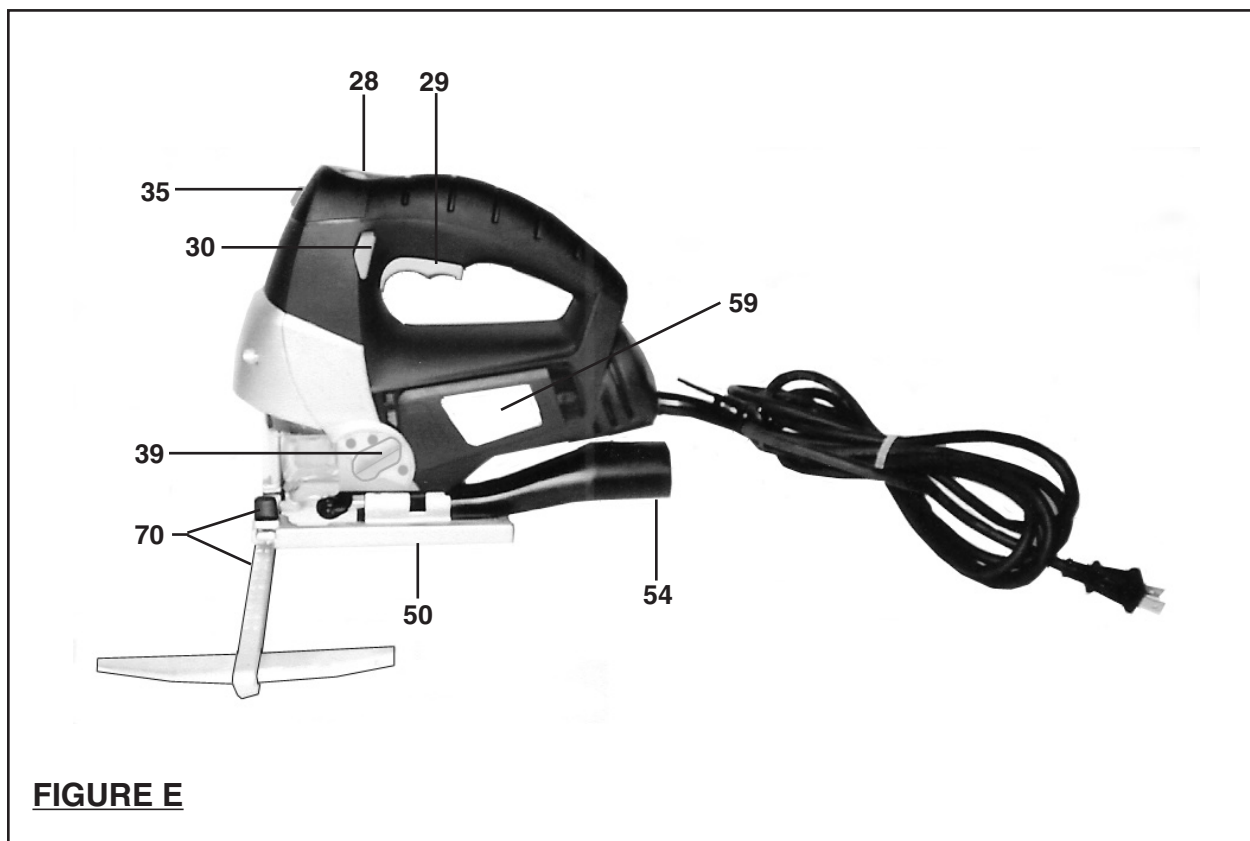
UNPACKING

When unpacking, check to make sure all the parts shown on the **Parts List on page 16** are included. If any parts are missing or broken, please call Harbor Freight Tools at the number shown on the cover of this manual as soon as possible.

PRODUCT FEATURES

1. **Speed Adjuster (28):** The Speed Adjuster is a 6-position speed dial switch located on the top/front of the handle. By rotating the Speed Adjuster from **1 to 6**, the Saw Blade speed can be set from **800 to 3,000** strokes per minute. (See **Figure E** next page, and **Figure F** page 13.)
2. **Power Switch (29):** The Power Switch is operated manually simply by squeezing the Switch to turn on the Jigsaw and releasing pressure on the Switch to turn off the Jigsaw. (See **Figure E**.)
3. **Switch Lock (30):** The Jigsaw is equipped with a Power Switch lock mechanism. To operate the tool for extended periods of time squeeze and hold the Power Switch (29), then depress the Switch Lock. To unlock the Power Switch, squeeze and release the Power Switch once. (See **Figure E**.)
4. **Cutting Mode Lever (39):** The Cutting Mode Lever can be adjusted to select the straight cutting mode or orbital cutting mode. The Cutting Mode Lever has **4-position** settings. The setting marked "**0**" is for straight cutting, and the settings marked "**I**", "**II**", and "**III**" are for orbital cutting. (See **Figure E**.)
5. **Laser Switch (35):** The Jigsaw is equipped with a Laser Guide (36) that is designed to aid alignment of the Saw Blade with the cutting line on the workpiece. To operate, push the Laser Switch to its **ON** or **OFF** positions. (See **Figure E**.)

6. **Dust Chute (54):** For a clearer cut line the Jigsaw can be attached to a vacuum system (not included) that will suck dust away from the cutting line. The Jigsaw comes equipped with a Dust Chute that allows a standard household vacuum system to be attached to the tool. **(See Figure E.)**
7. **Base Plate Cover (50):** The Jigsaw is equipped with an adjustable Base Plate Cover which allows for bevel cutting from **0 to 45 degrees left or right**. To adjust the Base Plate Cover, pull out and temporarily remove the Dust Chute (54). Use the accessory Hex Wrench (66) to loosen the Hex Screw (53) located on the underside of the Base Plate Cover. Adjust the Base Plate Cover to the desired angle. Then retighten the Hex Screw and replace the Dust Chute. **(See Figure E.)**
8. **Edge Guide (70):** The Edge Guide allows for extended straight cuts from **0 to 5-1/2" wide**. To attach the Edge Guide to the Jigsaw, loosen the Edge Guide Lock Knob. Slide the Edge Guide into the Base Plate (49) assembly. Adjust the Edge Guide to the width of cut desired. Then, retighten the Guide Lock Knob. **(See Figure E.)**
9. **Blade Holder (59):** The Blade Holder allows for convenient storage of additional Saw Blades. Slide the Blade Holder backward off the Jigsaw to store and retrieve Saw Blades. **(See Figure E.)**



ASSEMBLY INSTRUCTIONS

To Install A Saw Blade:

1. **⚠ CAUTION!** Always make sure the Power Switch (29) of the Jigsaw is in its “OFF” position and the tool is unplugged from its electrical outlet prior to adding any accessories or making adjustments to the tool.
2. Refer to the Chart below to select the proper Saw Blade (68, 69) for the material being cut. **(See Figure F.)**
3. Open the Plastic Blade Guard (58). Press the clamp button on the Blade Chuck (24). Insert the Saw Blade (68, 69) as far as it will go, making sure the teeth of the Saw Blade face to the front of the tool. Then release the clamp button on the Blade Chuck, and close the Plastic Blade Guard. **(See Figure G.)**

BLADE SELECTION AND SUITABLE SPEED		
Material	Teeth Per Inch	Speed Setting
Soft Wood	6	6
Hardwood	6	5
Plastic	12	4 ~ 6
Aluminum	12	3 ~ 6
Steel	24	2 ~ 4
Tile	24	1 ~ 3
Glass	32	1 ~ 3
Leather	(Knife Edge)	4 ~ 6
Rubber	(Knife Edge)	4 ~ 6

FIGURE F

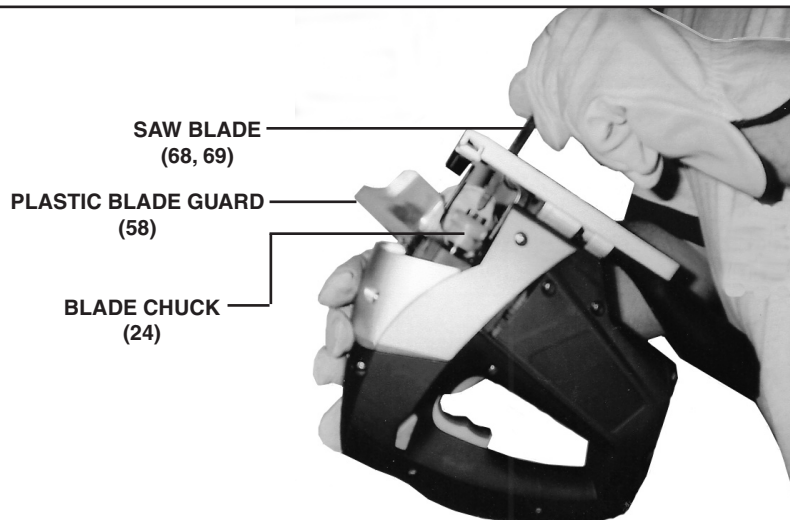


FIGURE G



BASIC OPERATING INSTRUCTIONS

1. **CAUTION! Always use safety equipment.** Wear ANSI approved safety impact eye goggles and heavy duty work gloves when operating the Jigsaw. Also, a dust mask and hearing protection must be used for appropriate conditions.
2. **IMPORTANT:** Always secure the workpiece in place, using a vise or clamps (not included).
3. Make sure the Power Switch (29) is in its “**OFF**” position and the Power Cord/ Plug (65) is unplugged from the electrical outlet. **(See Figure E.)**
4. If necessary, make adjustments to the Speed Adjuster (28) and Cutting Mode Lever (39). Also if necessary, adjust the Base Plate Cover (50) for the desired bevel of cut. **(See Figures E and F.)**
5. Once all adjustments are made, plug the Power Cord/Plug (65) into the nearest 120 volt, grounded, electrical outlet.
6. Position the Saw Blade (68, 69) of the Jigsaw about 1/2” from the beginning cut line on the workpiece. Do not allow the Saw Blade to come in contact with the workpiece.
7. Turn the Laser Switch (35) to its “**ON**” position, and align the laser beam with the cut line on the workpiece. **(See Figure E.)**
8. Squeeze the Power Switch (29) to turn on the Jigsaw. If operating the Jigsaw for an extended period of time, you may wish to depress the Switch Lock (30) to lock the Power Switch in its “**ON**” position. **(See Figure E.)**
9. Allow the Saw Blade (68, 69) to stroke at full speed before slowly feeding it into the workpiece.
10. Make sure to hold the Jigsaw firmly with both hands to avoid kickback. Then, finish making the cut.
11. When finished, release the Power Switch (29) to stop the Jigsaw. Wait until the Saw Blade (68, 69) stops completely. Turn the Laser Switch (35) to its “**OFF**” position. Then, remove the Jigsaw from the workpiece. **(See Figure E.)**
12. Make sure to store the Jigsaw in a clean, dry, safe location out of reach of children and other unauthorized people.

TROUBLESHOOTING

Problem	Possible Solution
Jigsaw will not run, or runs with insufficient power.	<ol style="list-style-type: none"> 1. Make sure to firmly squeeze the Power Switch. (See Figure E.) 2. Make sure the Power Cord/Plug is plugged into a working 120 volt, grounded, electrical outlet. 3. Allow the tool to completely cool in the event of overheating. Then, resume cutting. 4. Have a qualified service technician check the Carbon Brushes for excessive wear and/or debris build-up.
Quality of cut is poor.	<ol style="list-style-type: none"> 1. Check to make sure the Saw Blade is sharp and undamaged. 2. Make sure the Saw Blade is properly installed in the tool. (See Figure G.) 3. Make sure to use the proper type of Saw blade for the material being cut. (See Figure F.) 4. Make sure to use the proper cutting speed for the material being cut. (See Figure F.) 5. Do not force the Saw Blade. Gradually feed the Saw Blade into the workpiece.
Laser Guide will not illuminate.	<ol style="list-style-type: none"> 1. Make sure the Laser Switch is in its "ON" position. (See Figure E.) 2. Turn the Laser Switch to its "OFF" position. Then, check to make sure the Laser Guide is free of excessive dirt and debris. 3. Have a qualified service technician check the tool for internal damage.
The Power Switch does not turn off the tool.	Immediately unplug the tool from its electrical outlet, and have a qualified service technician check the tool for damage and defects.

INSPECTION, MAINTENANCE, AND CLEANING

1.  **WARNING!** Make sure the Power Switch (29) of the Jigsaw is in its "OFF" position and the tool is unplugged from its electrical outlet before performing any inspection, maintenance, or cleaning procedures.
2. **Before each use**, inspect the general condition of the Jigsaw. Check for loose screws, misalignment or binding of moving parts, cracked or broken parts, damaged electrical wiring, and any other condition that may affect its safe operation. If abnormal noise or vibration occurs, have the problem corrected before further use. **Do not use damaged equipment.**
3. **Before each use**, inspect the Saw Blade (68, 69). Using a dull Saw Blade will cause excessive wear on the Motor of the Jigsaw and will not produce a satisfactory cut. Replace with a new Saw Blade when needed. **(See Figure G.)**
4. **To clean the exterior parts of the Jigsaw**, use only a clean cloth and mild detergent to clean the body of the Saw. **Do not immerse any electrical part of the tool in any liquids.**
5.  **CAUTION!** All maintenance, service, or repairs not mentioned in this manual must only be performed by a qualified service technician.

PLEASE READ THE FOLLOWING CAREFULLY

THE MANUFACTURER AND/OR DISTRIBUTOR HAS PROVIDED THE PARTS LIST AND ASSEMBLY DIAGRAM IN THIS MANUAL AS A REFERENCE TOOL ONLY. NEITHER THE MANUFACTURER OR DISTRIBUTOR MAKES ANY REPRESENTATION OR WARRANTY OF ANY KIND TO THE BUYER THAT HE OR SHE IS QUALIFIED TO REPLACE ANY PARTS OF THE PRODUCT. IN FACT, THE MANUFACTURER AND/OR DISTRIBUTOR EXPRESSLY STATES THAT ALL REPAIRS AND PARTS REPLACEMENTS SHOULD BE UNDERTAKEN BY CERTIFIED AND LICENSED TECHNICIANS, AND NOT BY THE BUYER. THE BUYER ASSUMES ALL RISKS AND LIABILITY ARISING OUT OF HIS OR HER REPAIRS TO THE ORIGINAL PRODUCT OR REPLACEMENT PARTS THERETO, OR ARISING OUT OF HIS OR HER INSTALLATION OF REPLACEMENT PARTS THERETO.

PARTS LIST

Part	Description	Qty.	Part	Description	Qty.	Part	Description	Qty.
1	Upper Enclosure	1	25	Friction Plate	1	49	Base Plate	1
2	Lower Enclosure	1	26	Spring	4	50	Base Plate Cover	1
3	Bearing (626-2Z/C3)	1	27	Spring Holder	1	51	Screw (M3 x 8)	12
4	Stator	1	28	Speed Adjuster	1	52	Base Retainer	1
5	Rotor	1	29	Power Switch	1	53	Hex Screw (GB70-85)	1
6	Epoxy Block	2	30	Switch Lock	1	54	Dust Chute	1
7	Carbon Brush (D308)	2	31	Spring	1	55	Upper Aluminum Guard	1
8	Brush Holder	2	32	Anchor	1	56	Lower Aluminum Guard	1
9	Bearing (609-2RZ/C3)	1	33	Screw	2	57	Front Aluminum Guard	1
10	Gear Case Sub-Assy.	1	34	PCB	1	58	Plastic Blade Guard	1
11	Pin	2	35	Laser Switch	1	59	Blade Holder	1
12	Pin	1	36	Laser Guide	1	60	Nameplate	1
13	Block	1	37	Washer	2	61	Nameplate	1
14	Washer	1	38	Screw (ST3.5 x 8-F-H)	4	62	Internal Wire	1
15	Pendulum Plate	1	39	Cutting Mode Lever	1	63	Junction Port	1
16	Balance Plate	2	40	Lever Pivot	1	64	Cable Guard	1
17	Washer	1	41	Spring (B)	1	65	Power Cord/Plug	1
18	Gear Sub-Assy.	1	42	Cutting Mode Lever Axis	1	66	Hex Wrench	1
19	Washer	1	43	Pin	1	67	Screw (ST4.2 x 19-F-H)	11
20	Safety Ring	1	44	Nut Block	1	68	Wood Cutting Blade (Not Shown)	2
21	Bearing (K081215)	1	45	Guiding Wheel Axis	1	69	Metal Cutting Blade (Not Shown)	1
22	Rolling Ring	1	46	Guiding Wheel Holder	1	70	Edge Guide w/Lock Knob	1
23	Upper Bearing	1	47	Pin	4			
24	Blade Chuck	1	48	Steel Wire Support	1			

CHICAGO[®]
Electric

**LIMITED 90 DAY
WARRANTY**

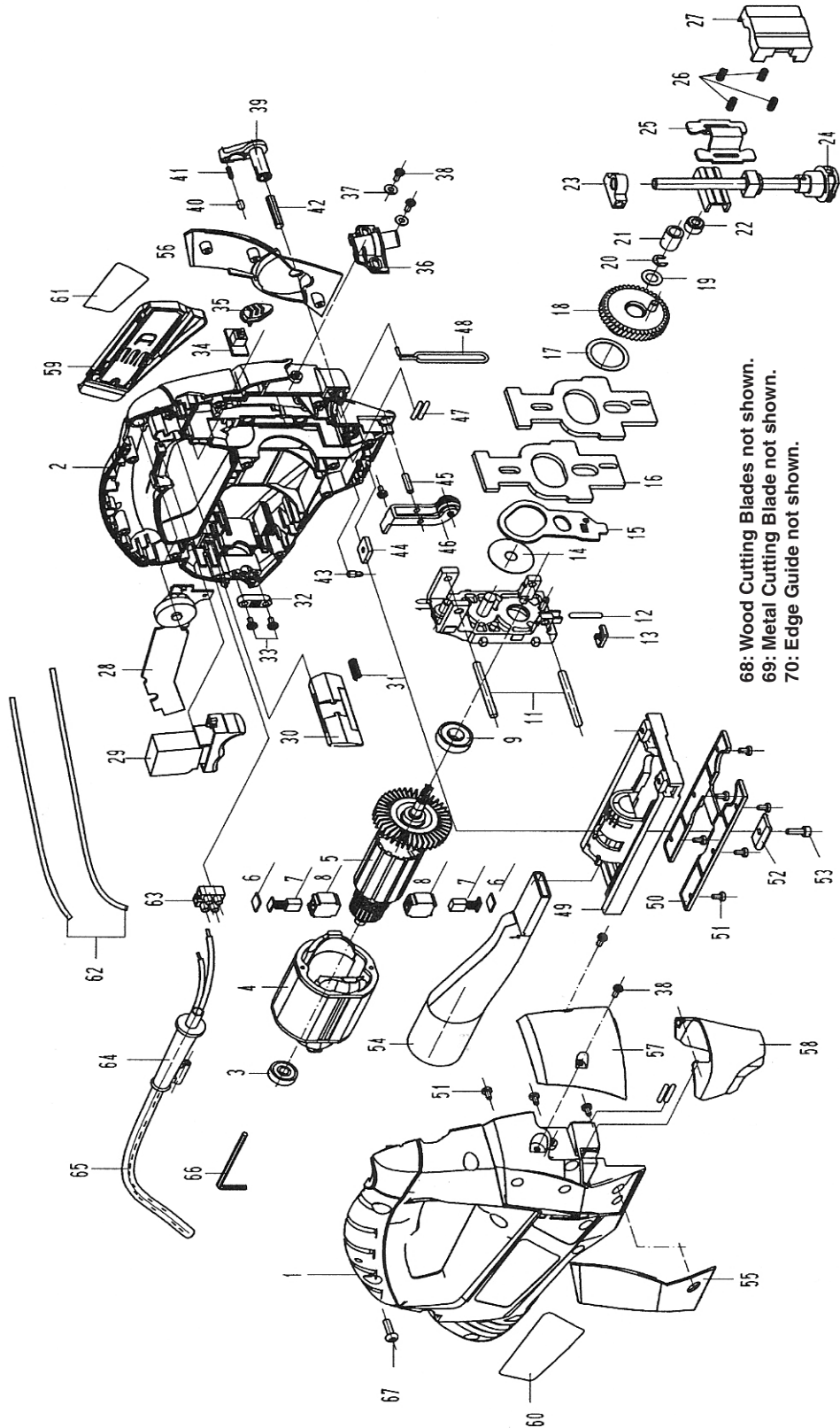
Harbor Freight Tools Co. makes every effort to assure that its products meet high quality and durability standards, and warrants to the original purchaser that this product is free from defects in materials and workmanship for the period of ninety days from the date of purchase. This warranty does not apply to damage due directly or indirectly, to misuse, abuse, negligence or accidents, repairs or alterations outside our facilities, or to lack of maintenance. We shall in no event be liable for death, injuries to persons or property, or for incidental, contingent, special or consequential damages arising from the use of our product. Some states do not allow the exclusion or limitation of incidental or consequential damages, so the above limitation of exclusion may not apply to you. THIS WARRANTY IS EXPRESSLY IN LIEU OF ALL OTHER WARRANTIES, EXPRESS OR IMPLIED, INCLUDING THE WARRANTIES OF MERCHANTABILITY AND FITNESS.

To take advantage of this warranty, the product or part must be returned to us with transportation charges prepaid. Proof of purchase date and an explanation of the complaint must accompany the merchandise. If our inspection verifies the defect, we will either repair or replace the product at our election or we may elect to refund the purchase price if we cannot readily and quickly provide you with a replacement. We will return repaired products at our expense, but if we determine there is no defect, or that the defect resulted from causes not within the scope of our warranty, then you must bear the cost of returning the product.

This warranty gives you specific legal rights and you may also have other rights which vary from state to state.

3491 Mission Oaks Blvd. • PO Box 6009 • Camarillo, CA 93011 • (800) 444-3353

ASSEMBLY DIAGRAM



68: Wood Cutting Blades not shown.
 69: Metal Cutting Blade not shown.
 70: Edge Guide not shown.

NOTE:
 Some parts are listed and shown for illustration purposes only,
 and are not available individually as replacement parts.